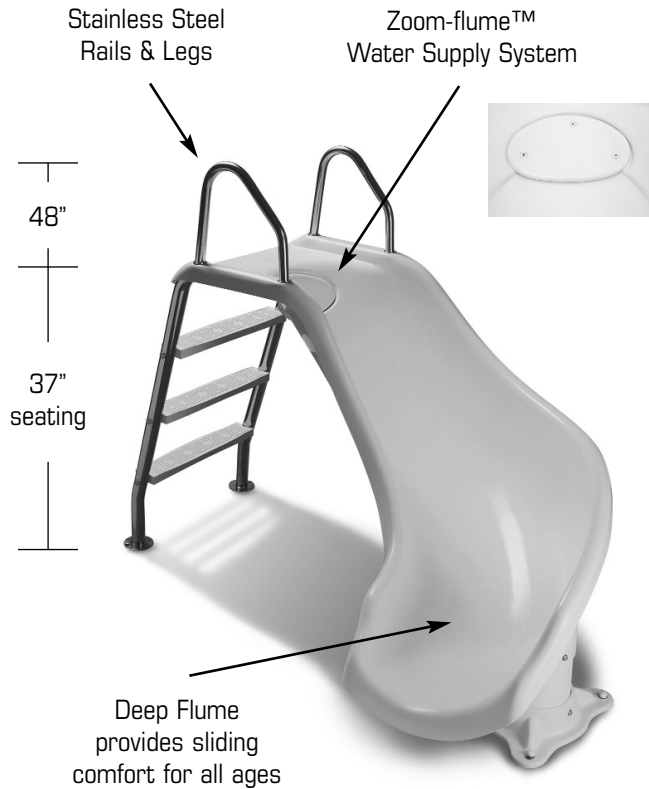


ZOOMERANG™ SLIDE:



FEATURES:

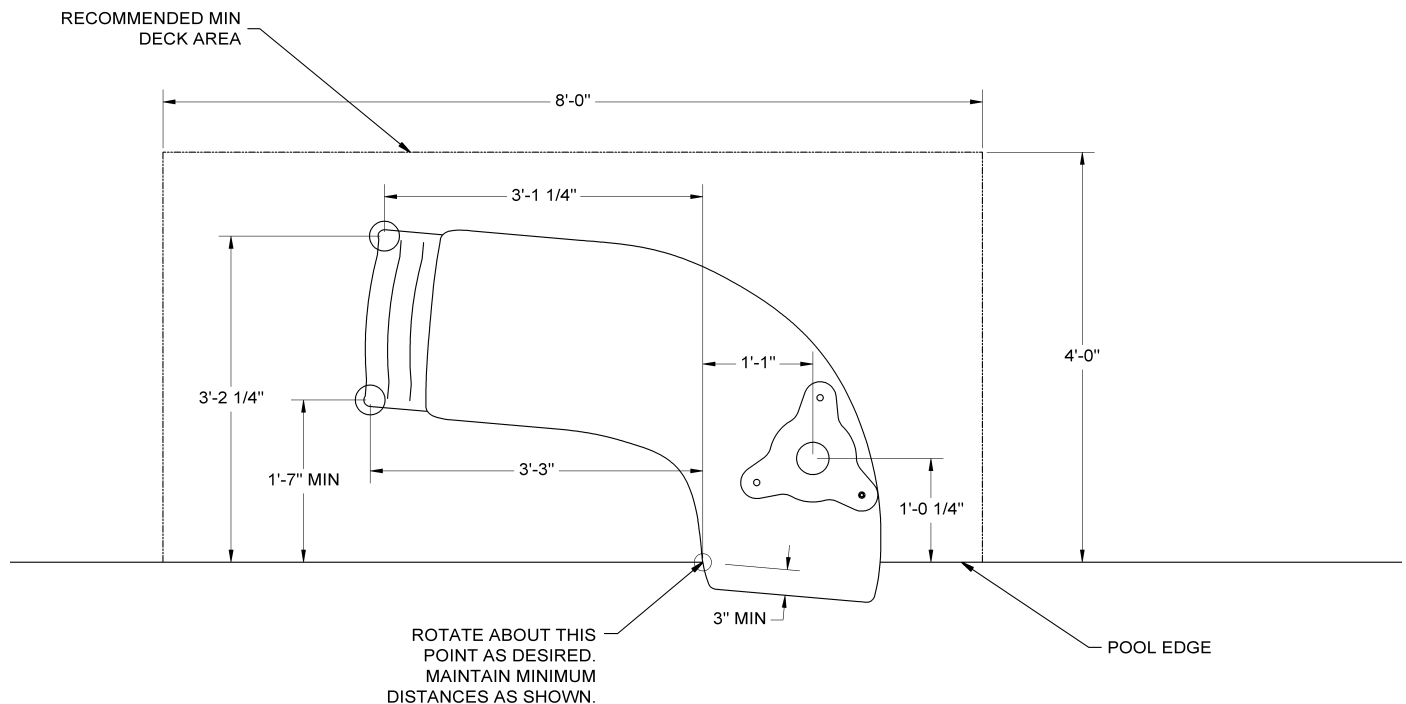
- Durable & Long Lasting Acrylic Construction
- Available in White Only
- Available in Right Turn Only
- 37" High at Seating Area
- Zoom-Flume™ Water Supply System
- Stainless Steel Rails, Legs & Hardware
- Discretely Sits Below a 6' Privacy Fence
- Designed for In-Ground Pools
- Minimum Water Depth of 3'6"
- Water Supply Attaches Directly to Pool Return Inlet
- Weight Limit = 200 Lbs.

ZOOMERANG™ SLIDE

DESCRIPTION	PART NUMBER
Zoomerang Slide - right - wht	Part #ZM-CR-SS

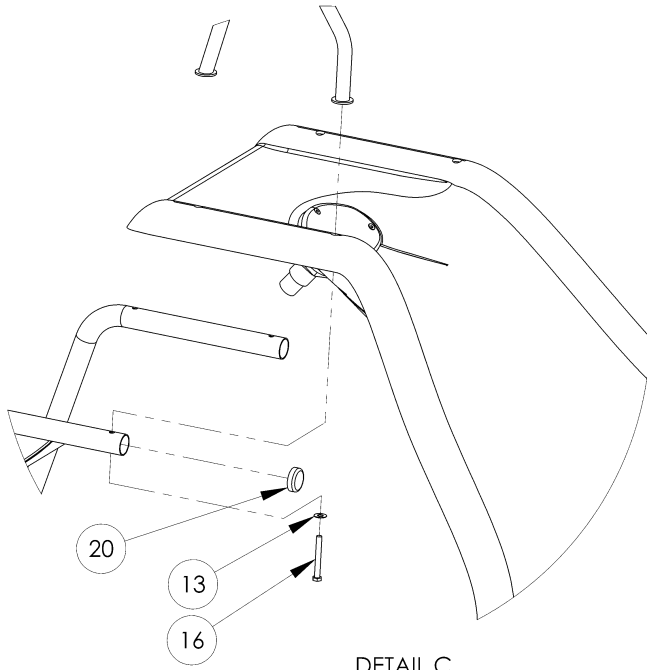
comes w/ss hardware

Zoomerang™ Footprint for RIGHT Turn Only Slide

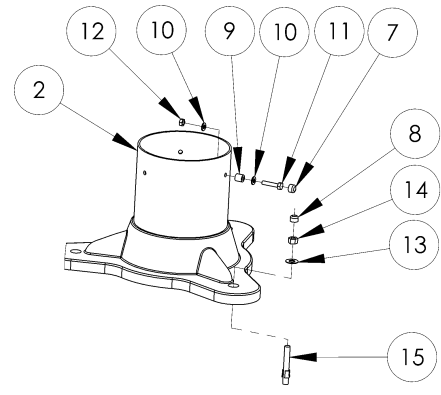


ZOOMERANG™ SLIDE (ZM-CR-SS):

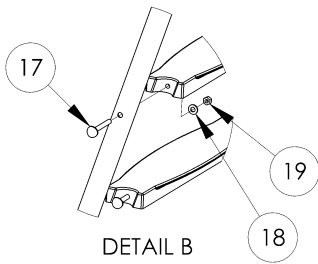
RESIDENTIAL SLIDES



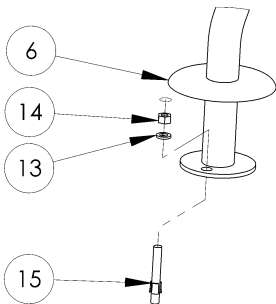
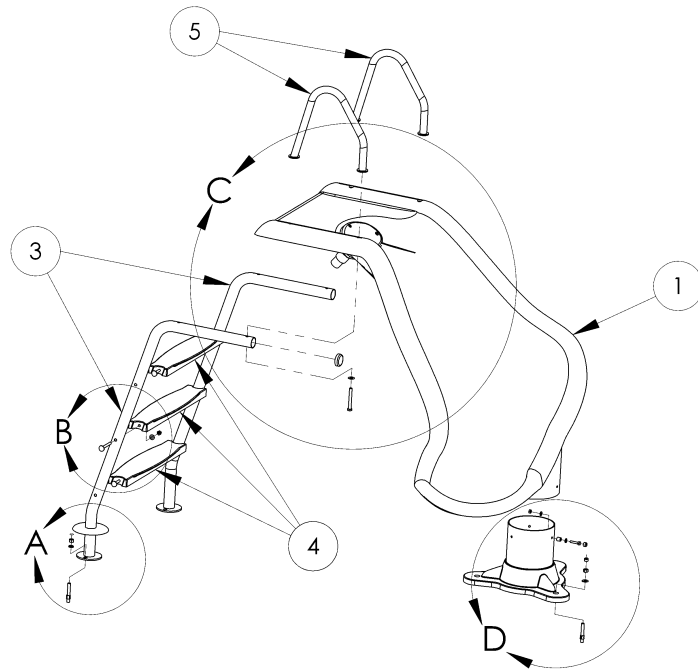
DETAIL C



DETAIL D



DETAIL B



DETAIL A

ZOOMERANG™ SLIDE (ZM-CR-SS):

ALL CHART INFORMATION BELOW CORRESPONDS WITH THE DRAWING ON THE PREVIOUS PAGE.



DRAWING REPRESENTS THE FOLLOWING PART NUMBERS:
ZM-CR-SS

ITEM #	COMPONENT	DESCRIPTION	KITS – QTY. COUNTS		
			ZM-H1-SS	ZM-H2-SS	ZM
1	ZM-R	ZOOMERANG RUNWAY			1
2	ZM-B	FLUME SUPPORT BASE			1
3	ZM-Ladder	ZOOMERANG LADDER			2
4	ZM-T	ZOOMERANG LADDER TREADS			3
5	ZM-HR	ZOOMERANG HANDRAILS			2
6	LADDER ESCUTCHEONS	LADDER ESCUTCHEONS			2
7	H-.463 X .310 CAP	GRAY PROTECTIVE CAP		3	
8	H-.562 X .390 CAP	GRAY PROTECTIVE CAP		3	
9	H-NYLON BUSHING	.500 OD X.257 ID NYLON BUSHING		3	
10	H-SS 1/4 FLAT W	1/4" FLAT WASHER S.S.		6	
11	H-SS 1/4 H C/S	1/4" X 1-1/4" HEX HEAD BOLT S.S.		3	
12	H-SS 1/4 H NUT	1/4" FINISH HEX NUT S.S.		3	
13	H-SS 3/8 FLT WASHER	3/8" X 1" FLAT WASHER S.S.	12	6	
14	H-SS 3/8 F NUT	3/8" FINISH NUT S.S.	4	3	
15	H-SS 3/8 WEDGE	3/8" X 2-3/4" WEDGE ANCHOR W/NUT & WASHER S.S.	4	3	
16	H-SS 3/8 X 3 TAP	3/8" X 3" HEX HEAD TAP BOLT S.S.	8	3	
17	H-SS 5/16 BOLT	5/16 X 2 3/4" LADDER BOLT S.S.	6		
18	H-SS 5/16 F WAS	5/16" SAE FLAT WASHER S.S.	6		
19	H-SS 5/16 H NUT	5/16"HEX FINISH NUT S.S.	6		
20	H-VINYL NUT CAP	1-5/8" X 1/2" WHITE VINYL CAP	2		

NOTES:

Zoomerang available in white only.
 Zoomerang available in right turn only.