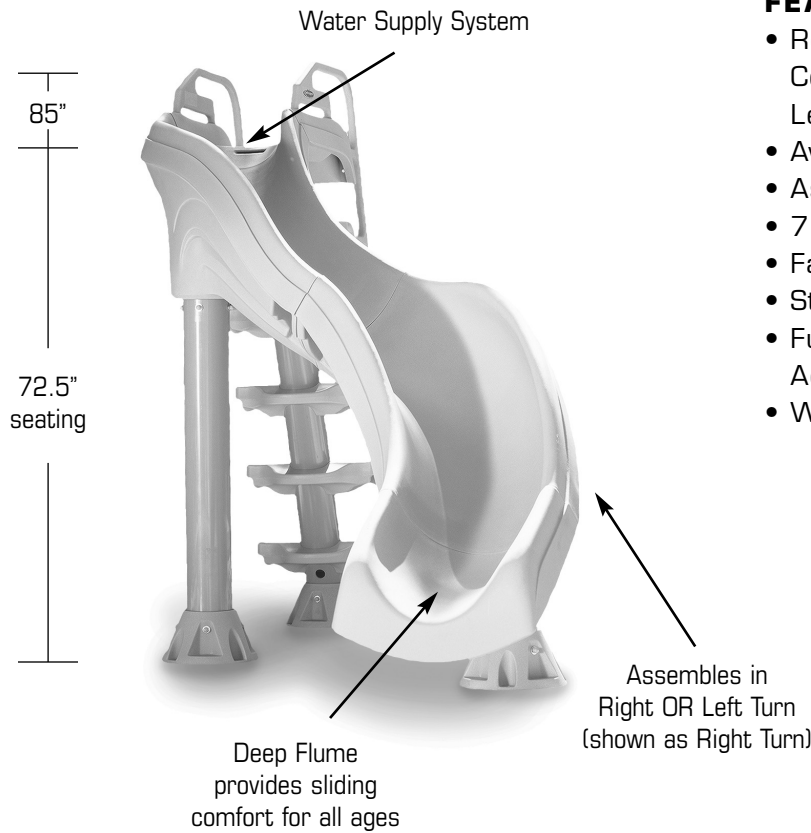


X-STREAM™ SLIDE:



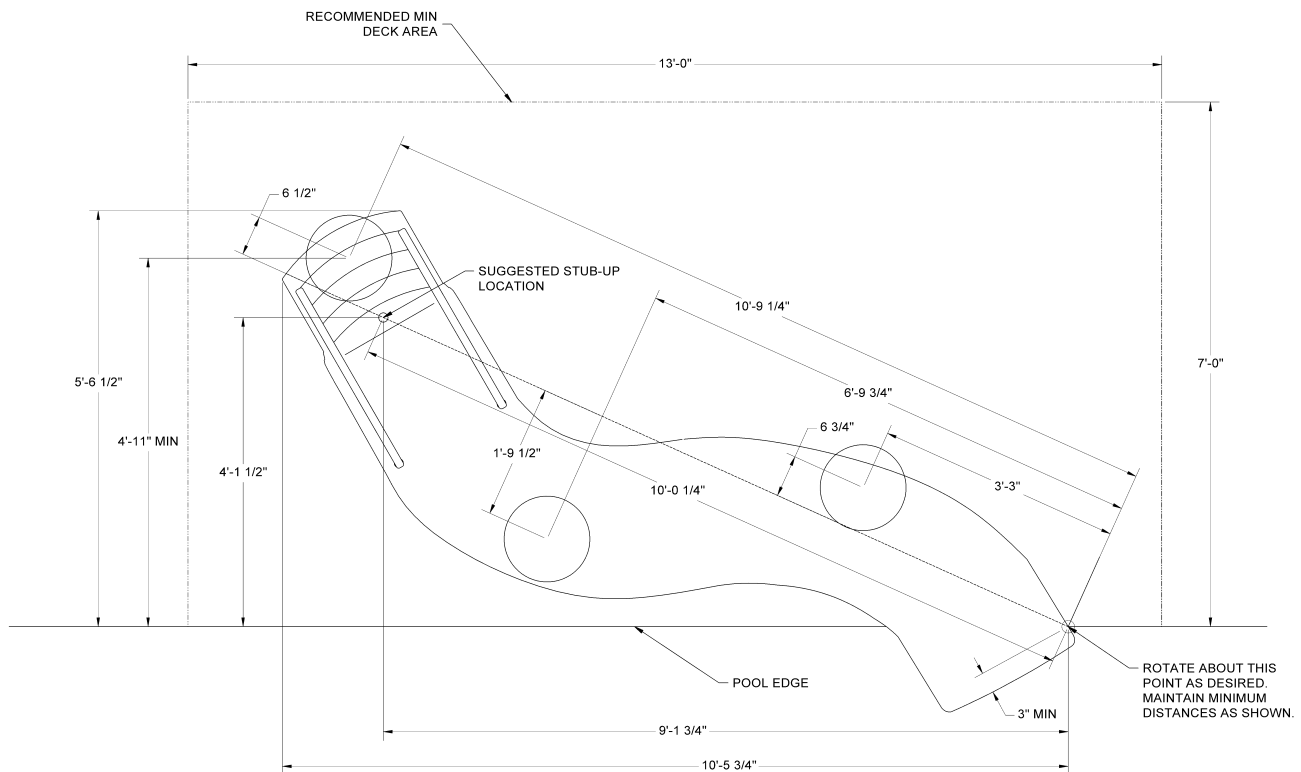
FEATURES:

- Rotational Moulded - Polyethylene Construction on Flume, Steps, Rails & Leg Supports (PVC Legs)
- Available in Summit Gray Only
- Assembles in **Right OR Left Turn**
- 72.5" High at Seating Area
- Fantastic Water Supply System
- Stainless Steel Hardware
- Fully Molded Treads Provide Safe Access to Slide Flume
- Weight Limit = 250 Lbs.

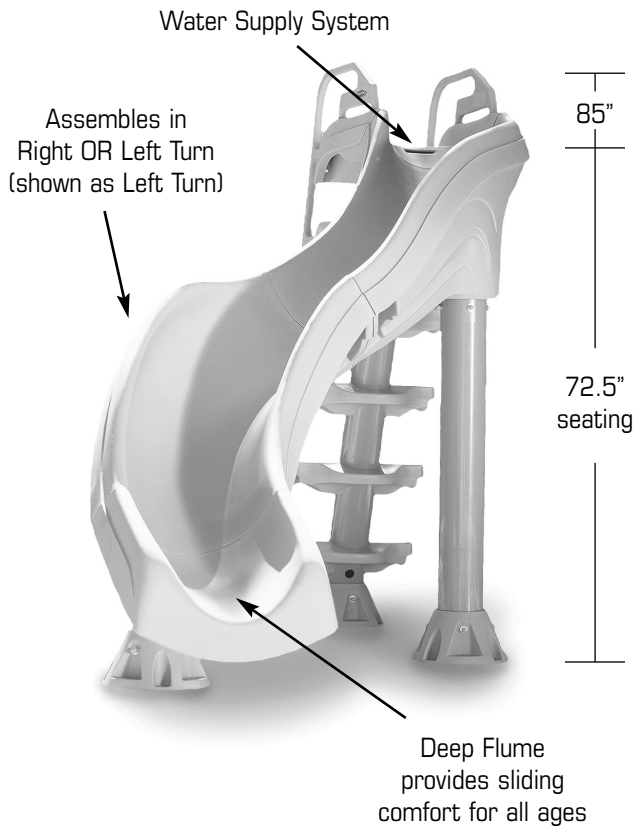
X-STREAM™ SLIDE

DESCRIPTION	PART NUMBER
X-Stream Slide - right/left - gray comes w/ss hardware	Part #XS-GR-SS

X-Stream Footprint for RIGHT Turn Slide



X-STREAM™ SLIDE:



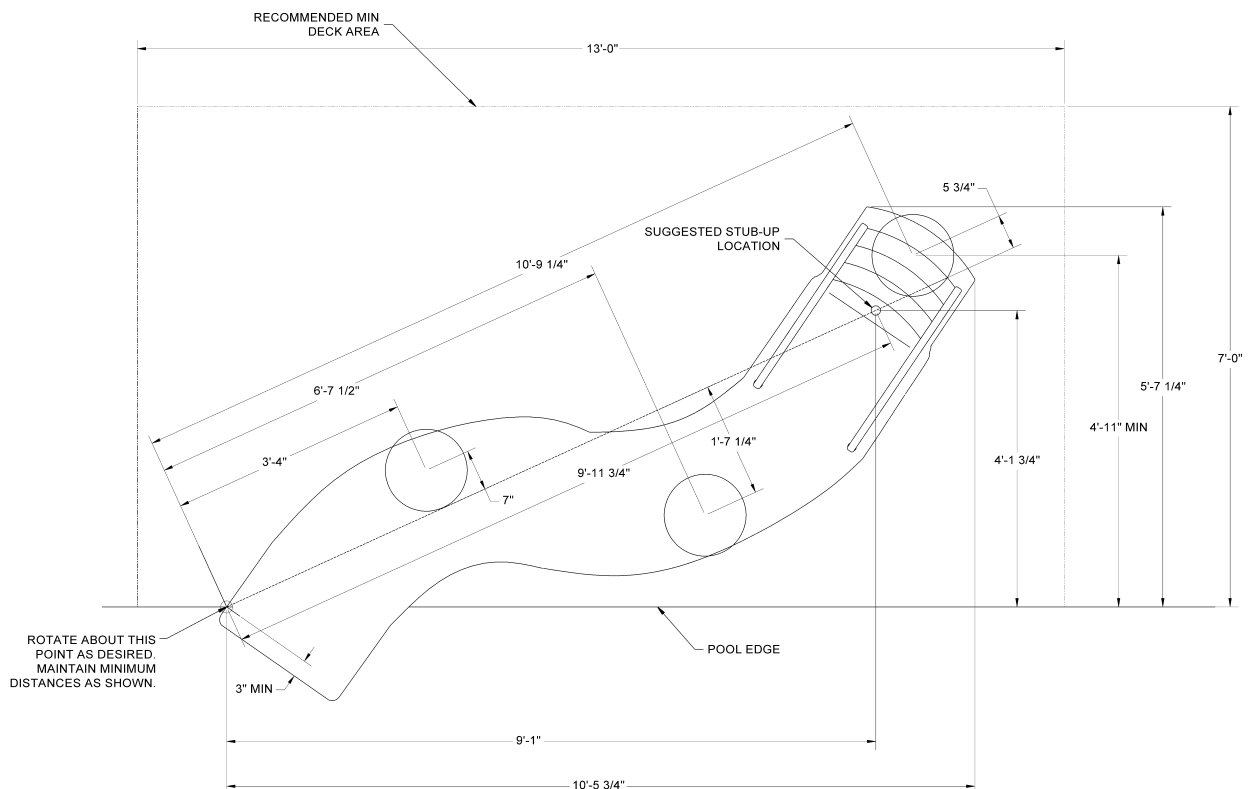
FEATURES:

- Rotational Molded - Polyethylene Construction on Flume, Steps, Rails & Leg Supports (PVC Legs)
- Available in Summit Gray Only
- Assembles in **Right OR Left Turn**
- 72.5" High at Seating Area
- Fantastic Water Supply System
- Stainless Steel Hardware
- Fully Molded Treads Provide Safe Access to Slide Flume
- Weight Limit = 250 Lbs.

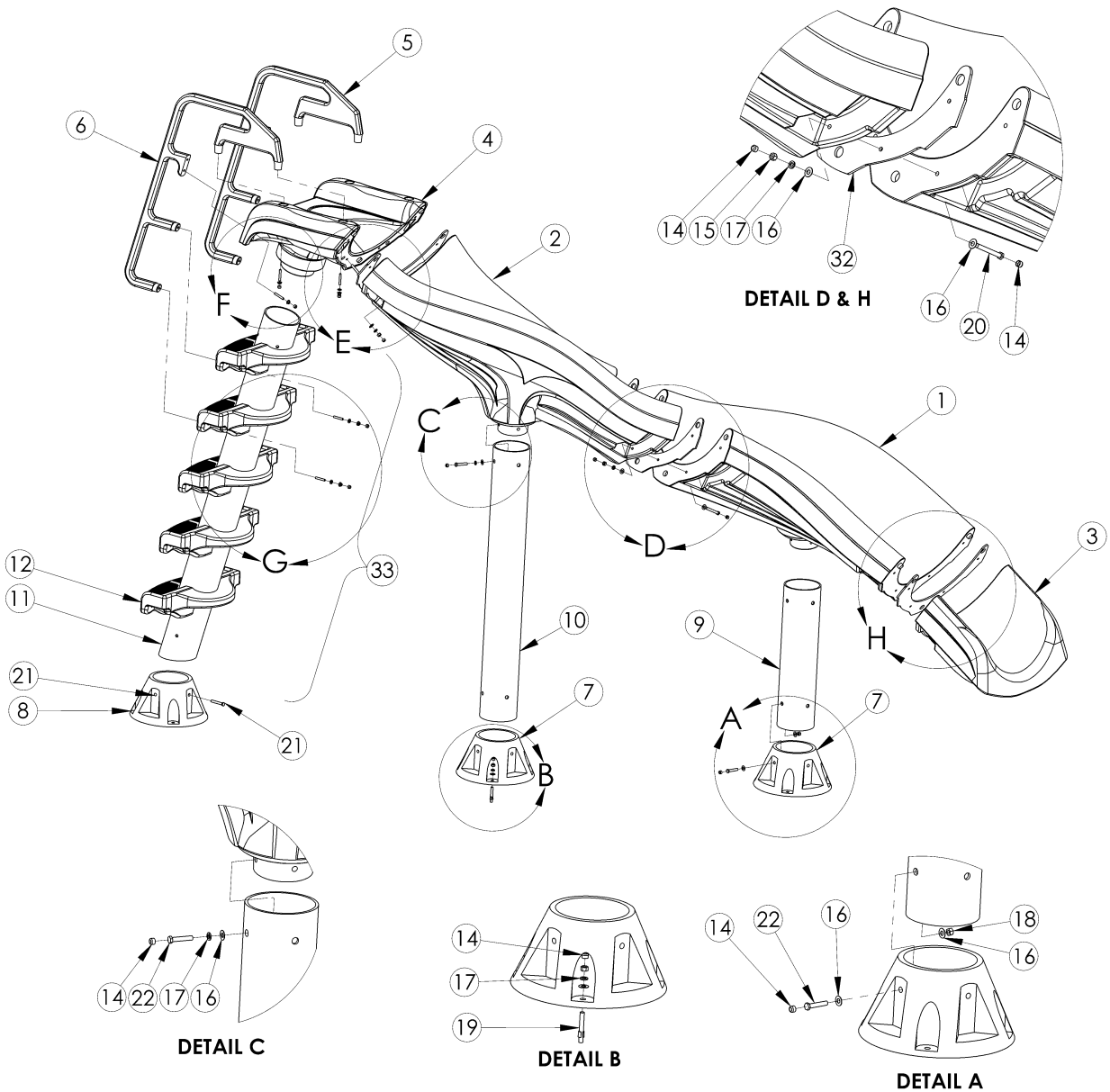
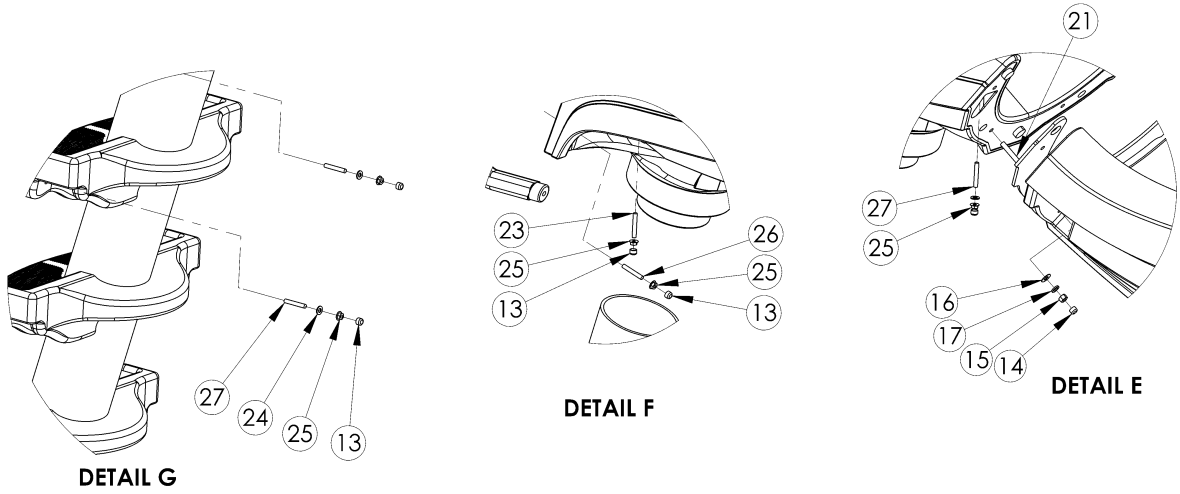
X-STREAM™ SLIDE

DESCRIPTION	PART NUMBER
X-Stream Slide - right/left - gray comes w/ss hardware	Part #XS-GR-SS

X-Stream Footprint for LEFT Turn Slide



X-STREAM™ SLIDE (XS-GR-SS):



X-STREAM™ SLIDE (XS-GR-SS):

ALL CHART INFORMATION BELOW CORRESPONDS WITH THE DRAWING ON THE PREVIOUS PAGE.



DRAWING REPRESENTS THE FOLLOWING PART NUMBERS:

XS-GR-SS

ITEM #	COMPONENT	DESCRIPTION	HARDWARE KITS/PARTS KITS – QTY. COUNTS						
			XS-GR	XS-101	XS-102	XS-103	XS-104	XS-105	STEP
1	XS-RIGHT FLUME	A & B RIGHT HAND FLUME SECTION	1						
2	XS-LEFT FLUME	C & D LEFT HAND FLUME SECTION	1						
3	XS-BOTTOM	BOTTOM SECTION	1						
4	XS-TOP SIDE	TOP SIDE SECTION WITH WARNING	1						
5	XS-L HANDRAIL	LEFT HANDRAIL WITH X-STREAM LOGO	1						
6	XS-R HANDRAIL	RIGHT HANDRAIL WITH X-STREAM LOGO	1						
7	XS-FOOT PEDESTAL	STRAIGHT FOOT PEDESTAL	2						
8	XS-16 FOOT PEDESTAL	16 DEGREE FOOT PEDESTAL	1						
9	H-6 X 26	6" X 26" GRAY PVC PIPE SCHEDULE 40	1						
10	H-6 X 50.125	6" X 50.125" GRAY PVC PIPE SCHEDULE 40	1						
11	H-6 X 71.5	6" X 71.5" GRAY PVC PIPE SCHEDULE 40							1
12	XS-STEP	X-STREAM BLOW MOLDED STEP							5
13	H-.463 X .310 CAP	GRAY PROTECTIVE CAP						10	
14	H-.562 X .390 CAP	GRAY PROTECTIVE CAP		11	20	12	12		
15	H-SS 3/8 F NUT	3/8" FINISH NUT S.S.			12				
16	H-SS 3/8 FLT WASHER	3/8" X 1" FLAT WASHER S.S.		22	20	12			
17	H-SS 3/8 LOC WASHER	3/8" LOCK WASHER S.S.			12	12	12		
18	H-SS 3/8 NYLON	3/8" NYLON INSERT NUT S.S.		11					
19	H-SS 3/8 WEDGE	3/8" X 2-3/4" WEDGE ANCHOR W/NUT & FLAT WASHER S.S.					12		
20	H-SS 3/8 X 3 TAP	3/8" X 3" HEX HEAD TAP BOLT S.S.			8				
21	H-SS 3/8 X2-1/2	3/8" X 2-1/2" HEX HEAD BOLT S.S.		1					
22	H-SS 3/8-16X2	3/8" X 2" HEX HEAD BOLT S.S.		10		12			
23	H-SS 3/8X2-1/2	3/8" X 2-1/2" ALL-THREAD STUD S.S.			4				
24	H-SS 5/16 FLA WASHER	5/16" FLAT WASHER S.S.						4	
25	H-SS 5/16 HEX FLANGE	5/16" HEX FLANGE NUT S.S.						12	
26	H-SS 5/16 X 2	5/16" X 2" ALL-THREAD STUD S.S.						4	
27	H-SS 5/16 X 2-1/2	5/16" X 2-1/2" ALL-THREAD STUD S.S.						6	
28	H-SS 5/16 X 3	5/16" X 3" ALL-THREAD STUD S.S.						2*	
29	H-1 BALL VALVE	1" BALL VALVE-SLIP GRAY							1*
30	H-NYLON ROD 101	NAT NYLON ROL 101 .375 DIA.							1*
31	H-1 SPA HOSE	GRAY SPA HOSE FOR STEP ASSEMBLY, 10 FT. LENGTH							10*
32	H-XS GASKET	GASKET FOR X-STREAM SLIDE 3/8"	3						
33	XS-STEP COMP	COMPLETE ASSEMBLED STEP, INCLUDES ITEMS 11, 12, 29, 30, & 31	1						

** not pictured

NOTES:

X-Stream slide only comes in Summit Gray
 X-Stream can turn to the right or the left

RESIDENTIAL SLIDES